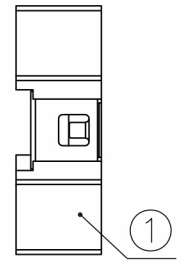
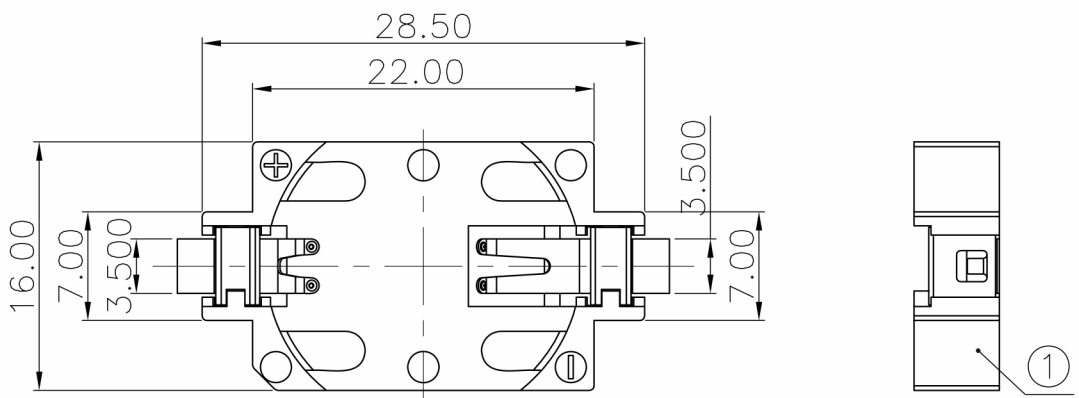




REV.	ECN NO.	REVISED	DATE

1.MATERIAL:
a.HOUSING:LCP
b.CONTACT:PHOSPHOR BRONZE
(SURFACE PLATING:AU1u")
SEE ORDERING INFORMATION

2.ELECTRIC:
a.CONTACT RESISTANCE: 30 MILLIOHMS MAX
b.INSULATION RESISTANCE: 1000 MEGA OHMS MIN
c.DIELECTNIC VOLTAGE: 500V AC ONE SEC LEVEL
d.OPERATING TEMPERATURE: -25°C~ +85°C



ORDERING INFORMATION
BS-06-B*002**

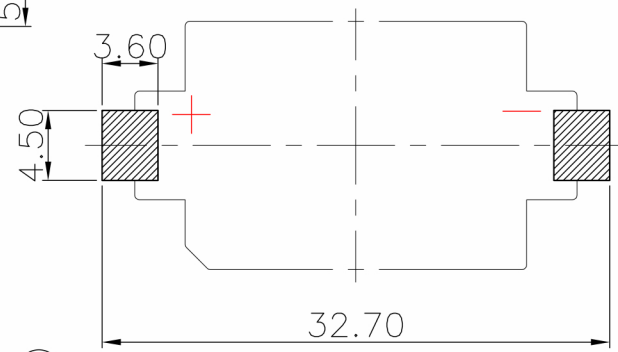
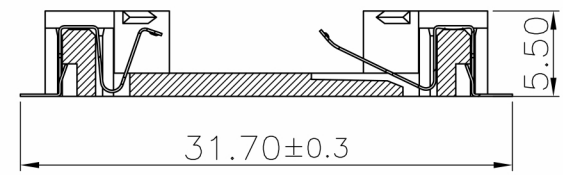
电池座系列

BS-06系列

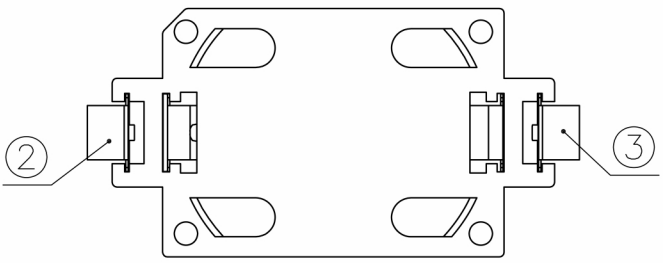
SMT 180° TYPE

PLATING:
A-Au1U"
J-Ni100U"~120U"
K-Sn100U"~120U"

MATERIAL:
1A-PBT BLACK
1B-PA66 BLACK
2A-PPA BROWN
2B-PPA BLACK
3A-PPS BROWN
3B-PPS BLACK
4A-LCP WHITE
4B-LCP BLACK
5A-PA6T WHITE
5B-PA6T BLACK



PCB Layout Diagram
Top View



3	TERMINAL(-)	1	PHOSPHOR BRONZE, T=0.15mm	Gold Plating and Ni Under-Plating
2	TERMINAL(+)	1	PHOSPHOR BRONZE, T=0.15mm	Gold Plating and Ni Under-Plating
1	HOUSING	1	LCP	WHITE
NO.	PART NAME	Q'TY	MATERIAL	PLATING & COLOR

UNLESS OTHERWISE SPECIFIED TOLERANCES		Makumi 深圳市芯魅能源科技有限公司 Shenzhen Makumi Energy Technology Co., Ltd	
DECIMALS: X :±0.30 X.X :±0.25 X.XX :±0.20 X.XXX :±0.10	ANGLES: X :±1° X.X :±0.5°	DSND YangFeng	DATE 2017-07-11
WEIGHT: 1.49g		CHKD ZhouRuicai	DATE 2017-07-11
SHEET 1 OF 1		APVD XueShunyong	DATE 2017-07-11
UNIT: mm	REV.: A/0	SCALE: 2:1	VIEW:
OBJECT: MY	DRAW NO.:MY-CP-0014	SIZE: A4	TITLE: BS-2032-6 Au SMT
			PART NO.: BS-06-B4AA002